

**Bewegung means Motion.**

The Stärke Bewegung includes German engineering and design aspects which power over the competition in strength, versatility and usability. This single-passenger electric stock picker has been designed to pick and move stock and parts throughout your facility. With the added bonus of a 6 step ladder, you will be able to pick and place items easily and then haul the materials to their destination on the stock picker's cargo deck.

**FEATURES****Load Capacity**

- 990 lbs

**Weight with Battery**

- 1235 lbs

**Battery**

- 24/225aH

**Controls**

- Easy to operate single pedal for accelerator & brake
- canBUS Programmable controls

**Frame**

- Deck Size – 56 x 30.3"
- H" type axle design offers good stability
- Length 88"
- Width 30.3"
- Turning radius 50.4"

**Powertrain/electrical**

- DC brushless motor
- Travel speed 7.5 mph unloaded, 4.3 mph loaded
- 4.3 HP motor

**Options**

- Optional 4 or 6 step ladder available - attaches to the back for easier order picking

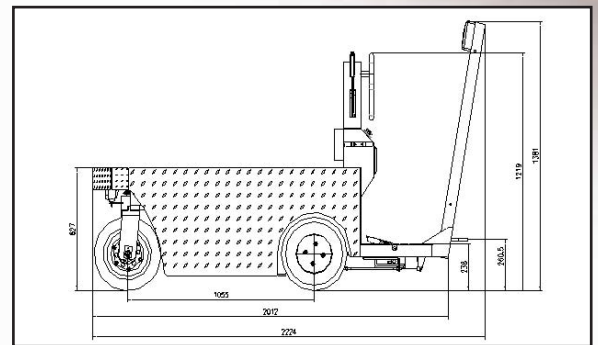
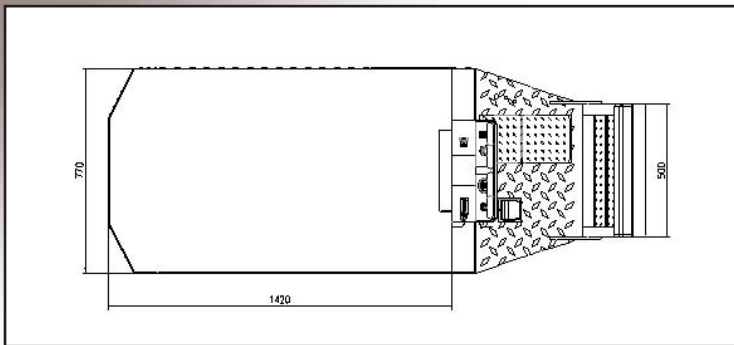
**UTT25R**



## Bewegung Series

### Why Choose a Stärke Bewegung over a competitor?

Stock Chaser	Stärke Bewegung	Cushman Stock Chaser	Motrec MS-260
Capacities	4840 lbs	1000 lbs	2000 lbs
Size of unit	Length 88", Width 30.3"	Length 84", Width 29.5"	Length 87", Width 30"
Weight	1235 lbs	810 lbs	840 lbs



Bewegung Stock Picker		UTT25R
Rated Load Capacity	lbs	990
Overall length	in	88.0
Overall width	in	30.3
Tire Size	Front/Rear	15 x 4.5-8
Wheels, number fron/rear (x=drive wheels)		1/2x
Wheelbase	in	42.0
Backrest height	in	54.0
LadderHeight	in	111.0
Deck height	in	24.7
Deck size	in	56.0 x 30.3
Turning radius	in	50.4
Ground clearance	in	3.0
Travel Speed	Laden	mph 4.3
Travel Speed	Unladen	mph 7.5
Drive motor capacity	hp	4.3
Battery Voltage	v/Ah	24/225
Battery Weight	lbs	407
Service Weight	lbs	1235
Battery Dimensions	in	30.4 x 11.1 x 12.0
Battery Dimensions	l x w x h	in 30 x 10.7 x 11.7



UTT25R